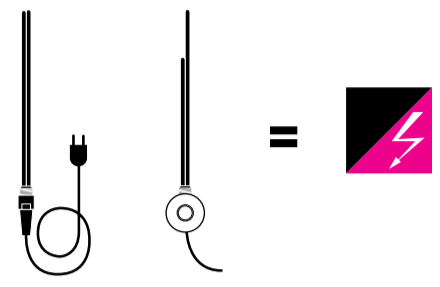
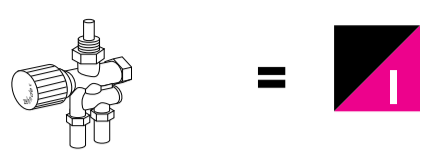
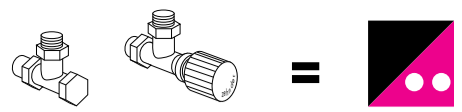


TYP HU

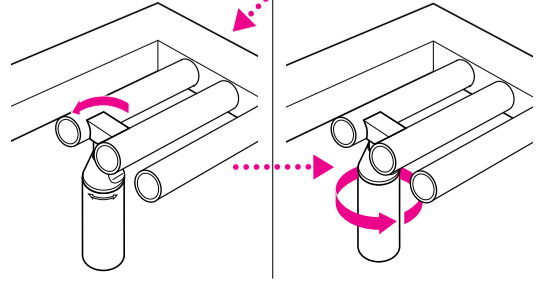
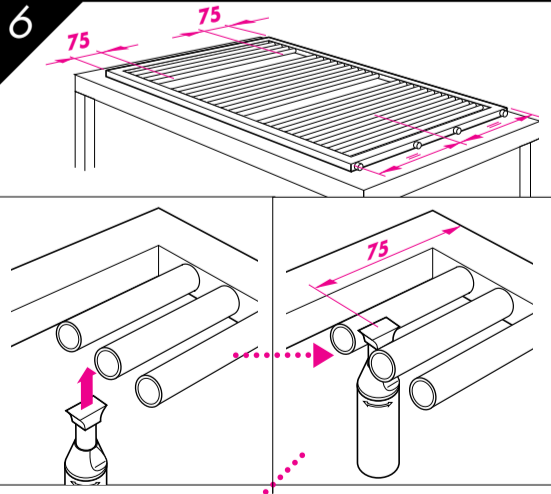
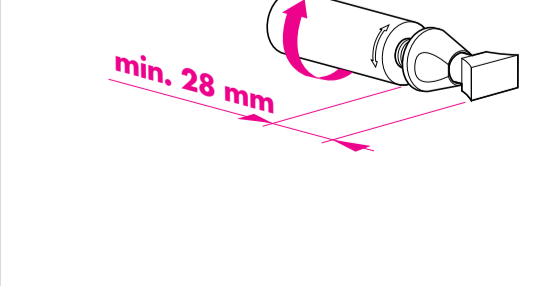
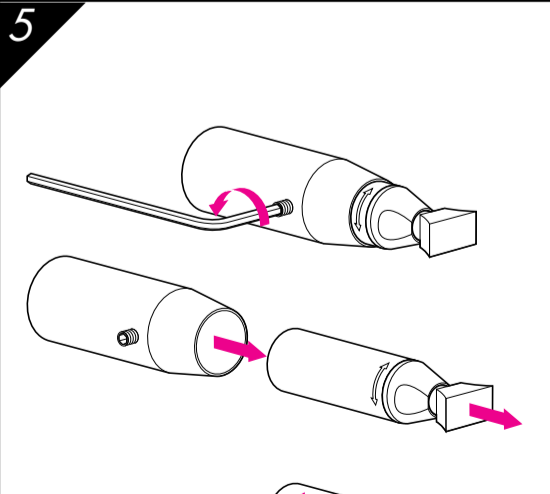
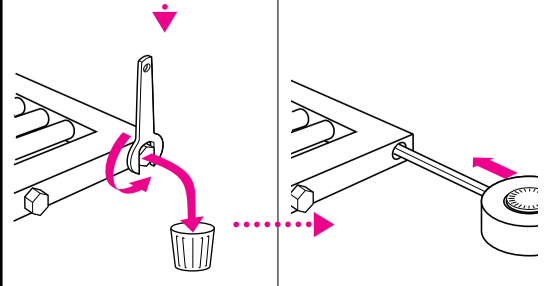
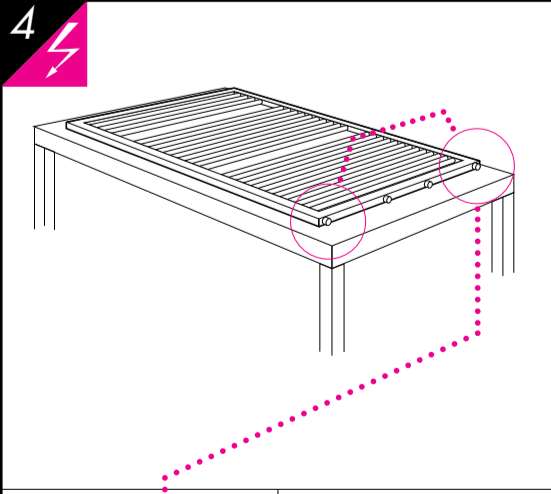
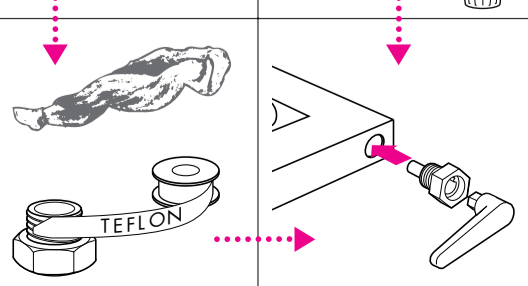
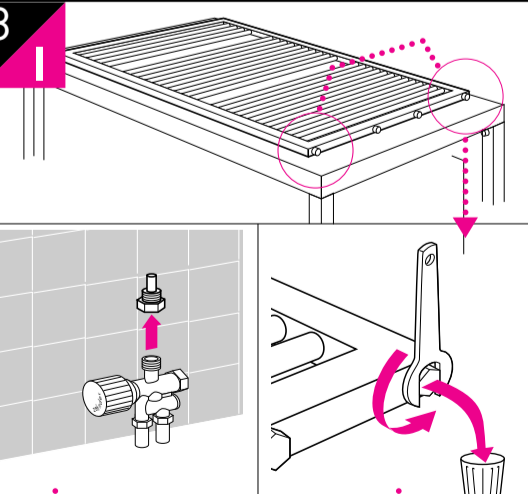
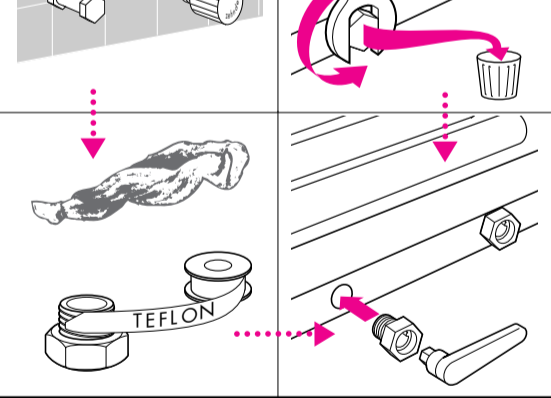
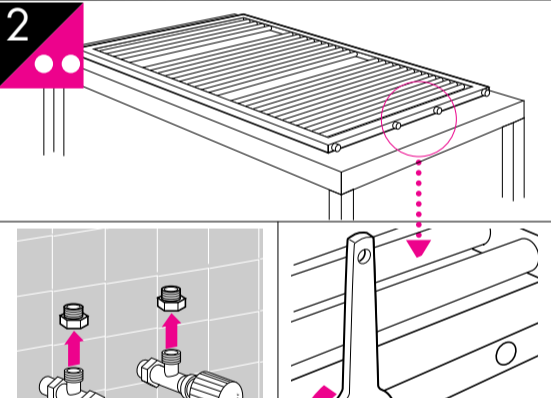
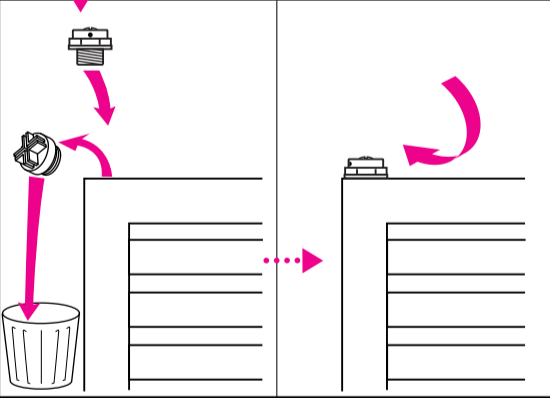
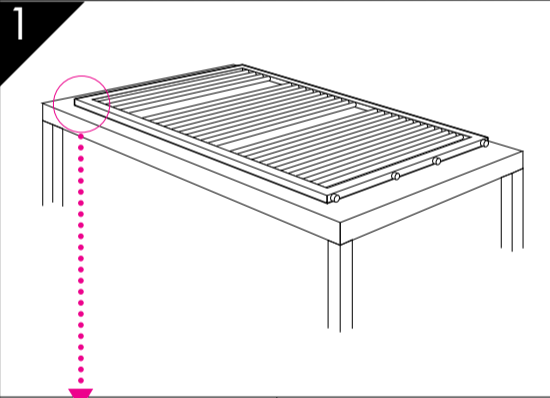
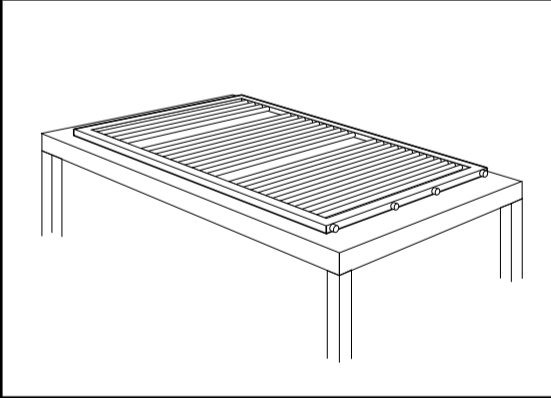
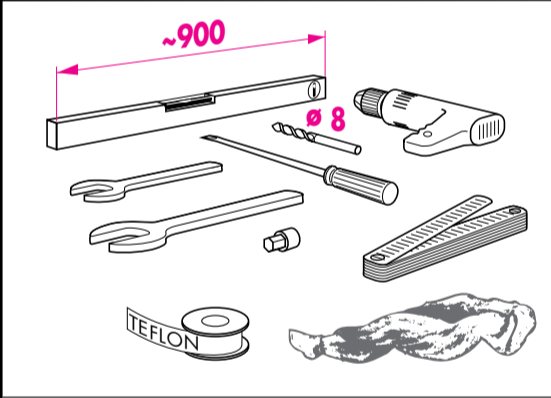
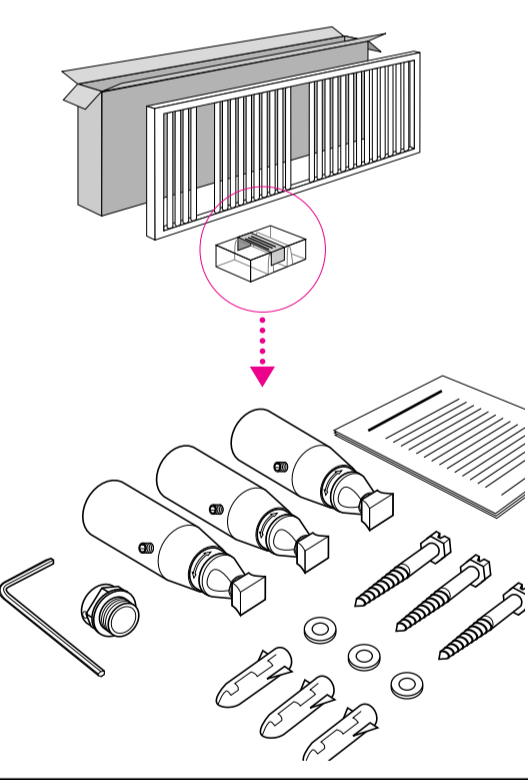
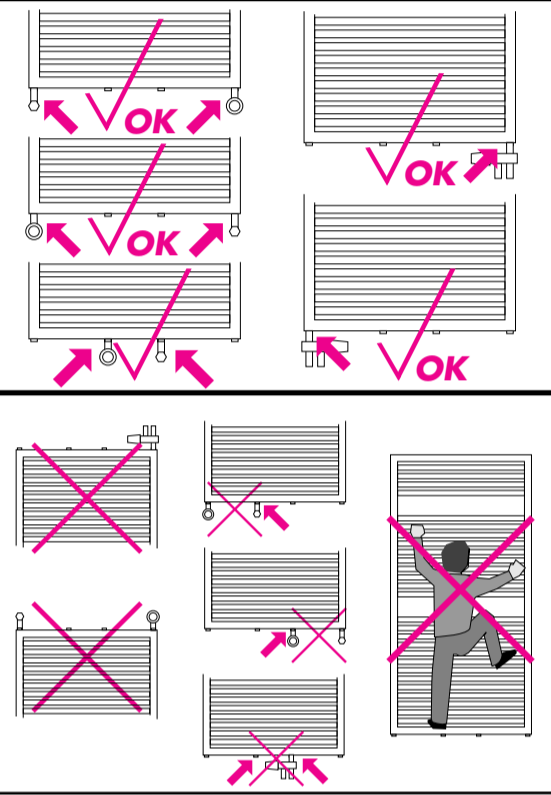
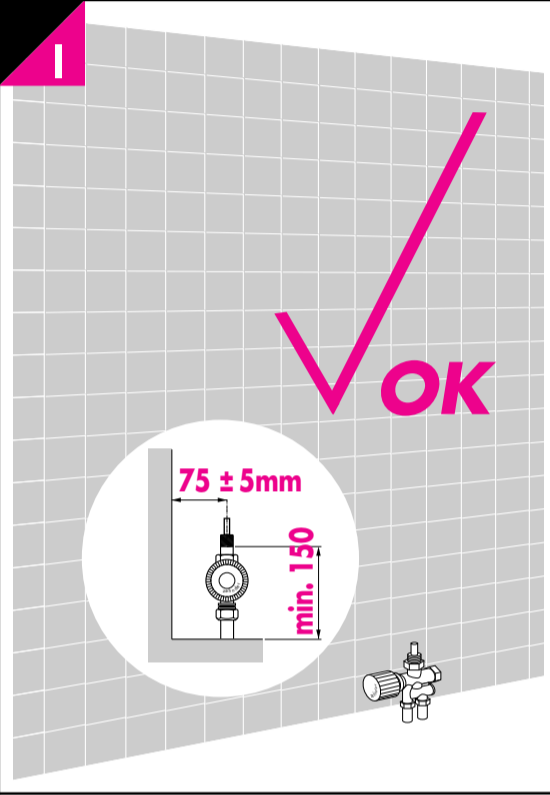
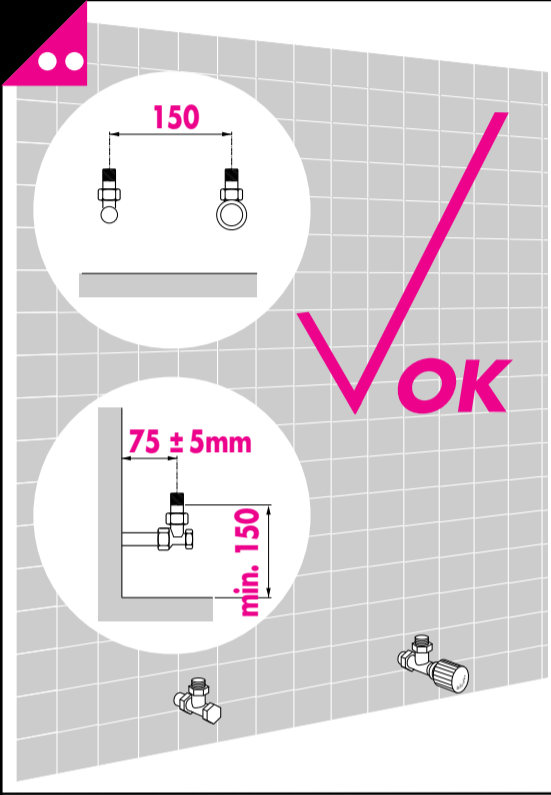
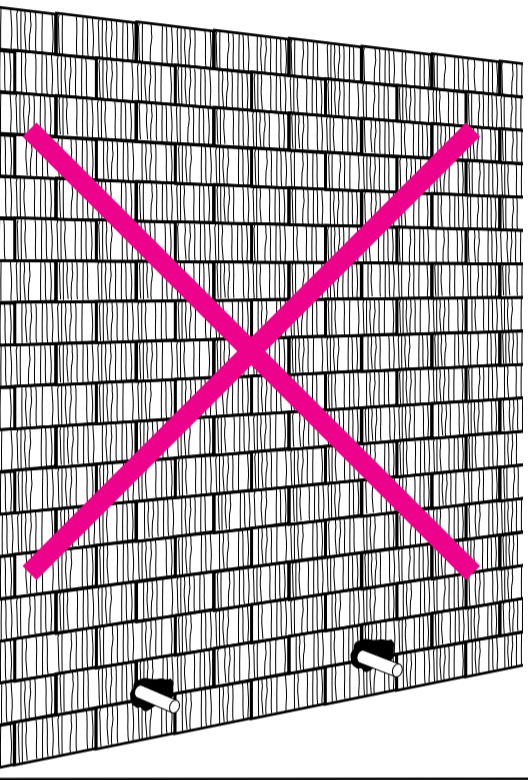
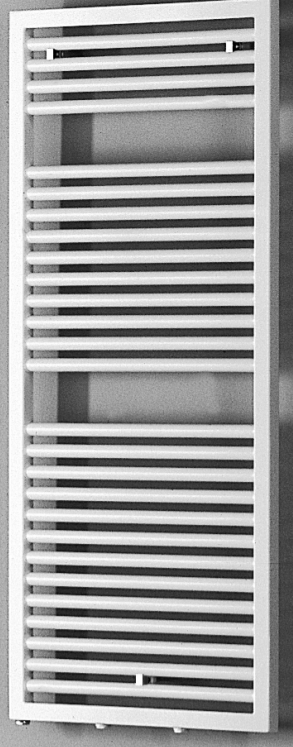
- D** Montageanleitung
- GB** Assembly Instructions
- F** Instructions de montage
- I** Istruzione di montaggio
- E** Instrucciones de montaje
- HU** Szerelési utasítás
- NL** Montageaanwijzing

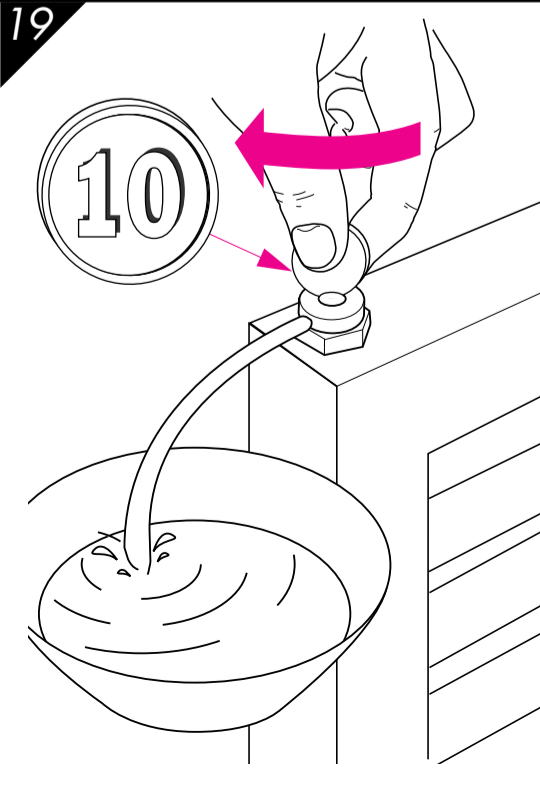
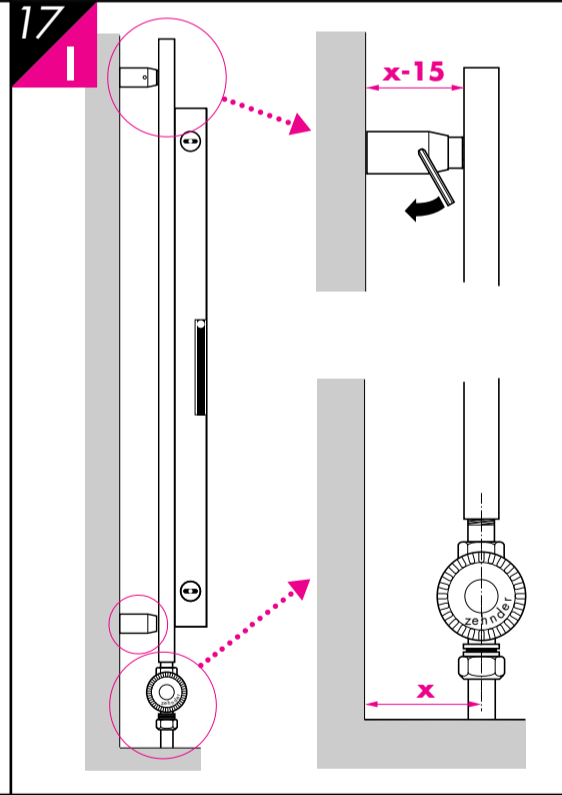
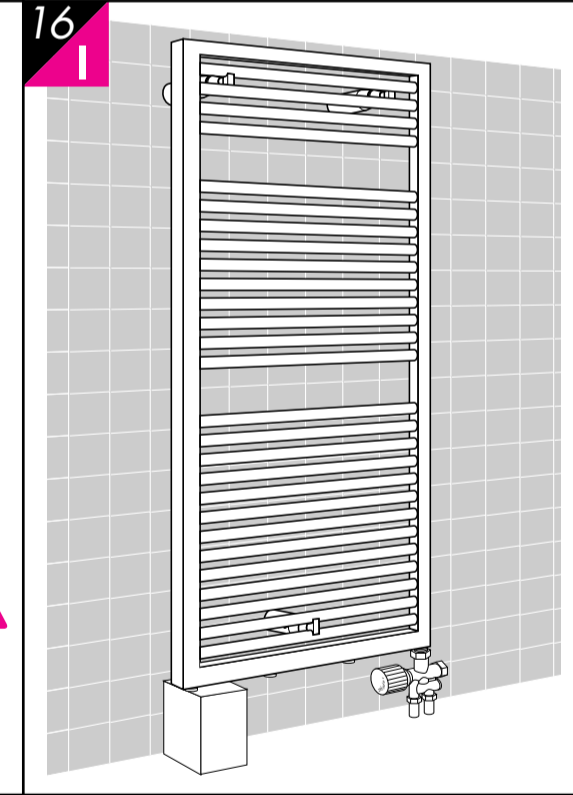
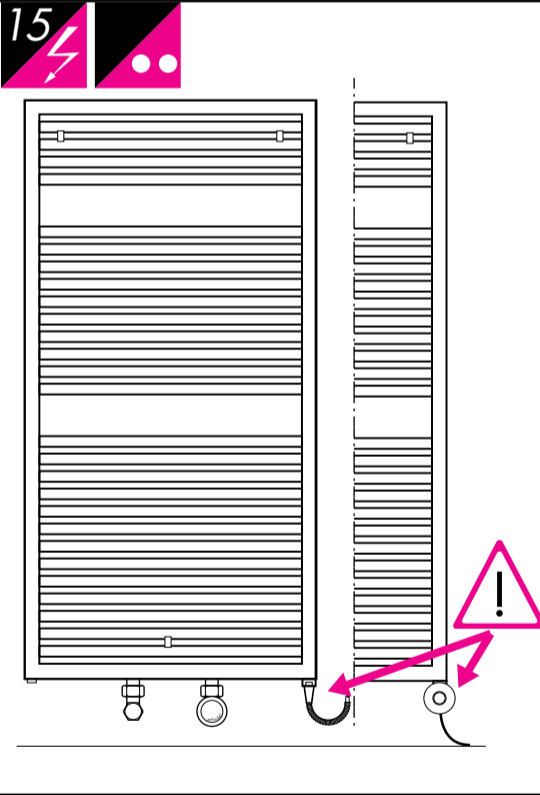
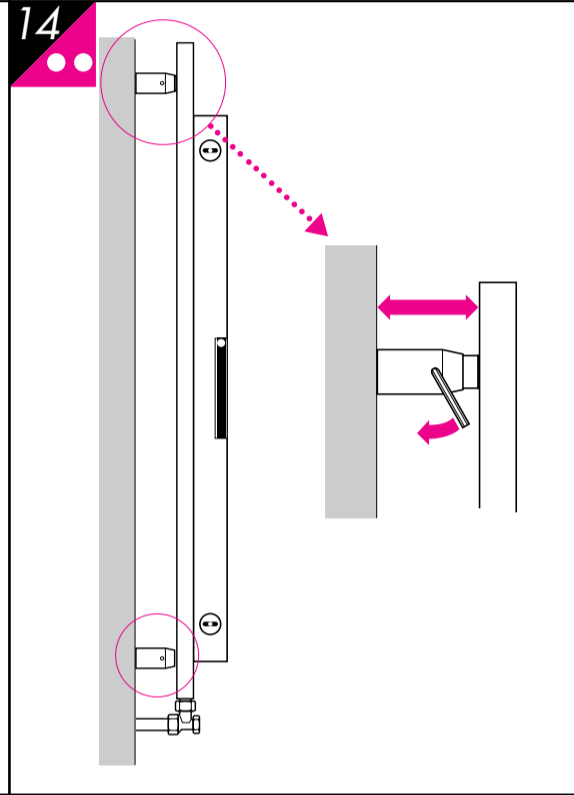
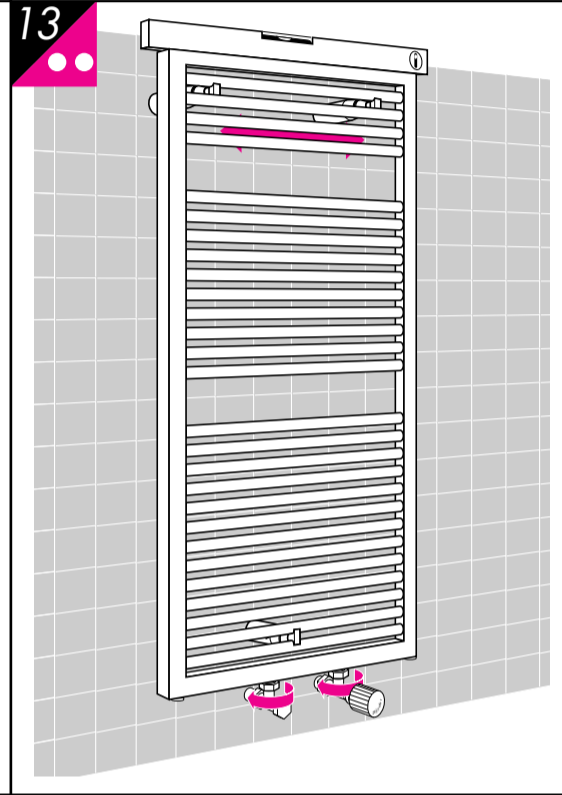
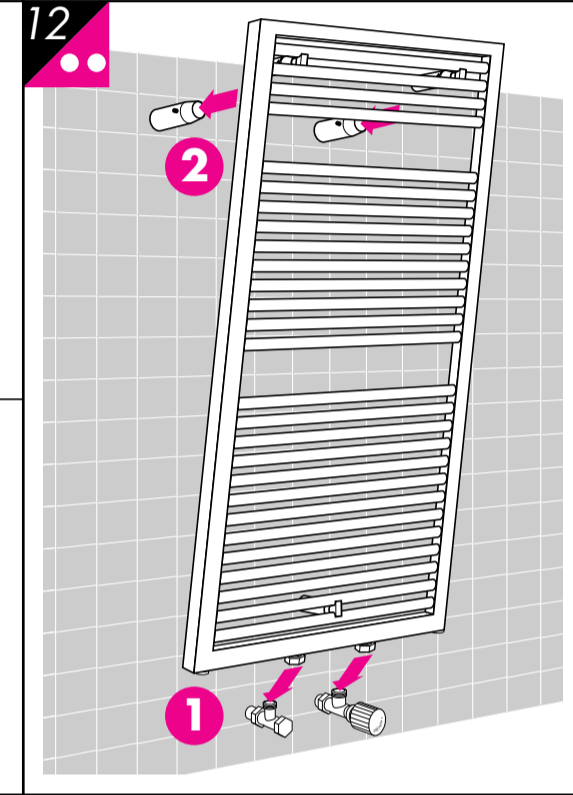
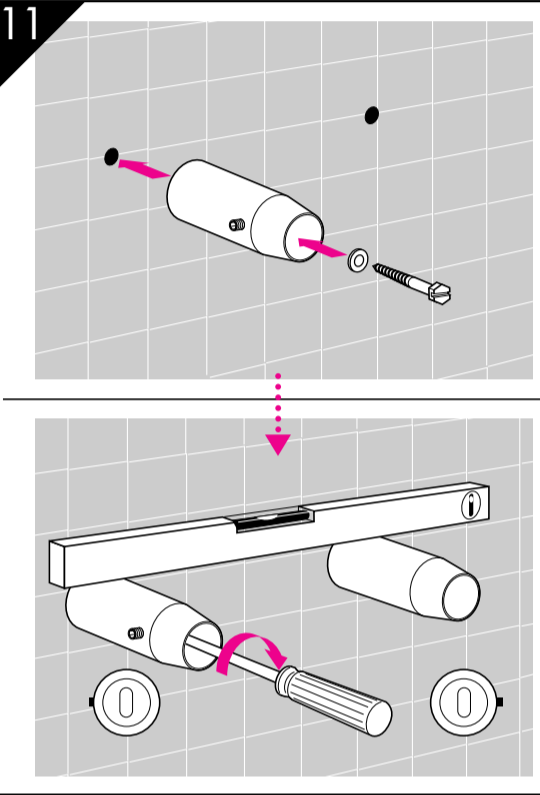
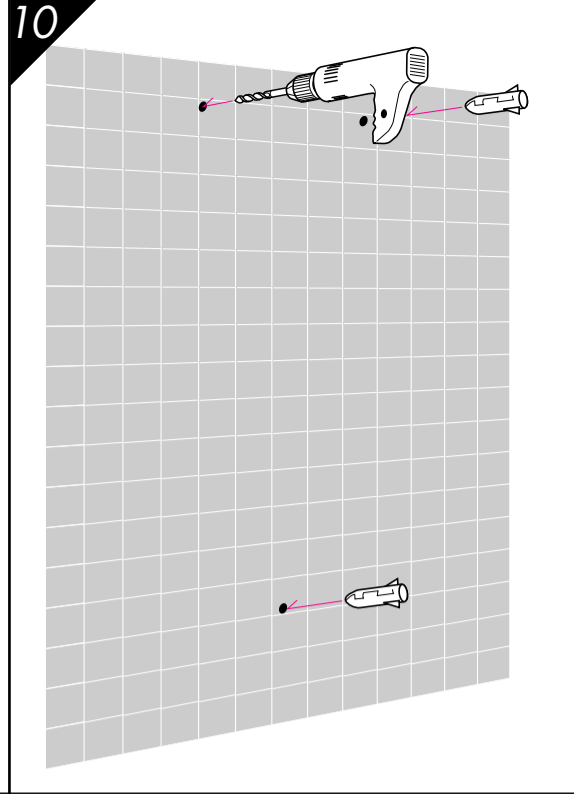
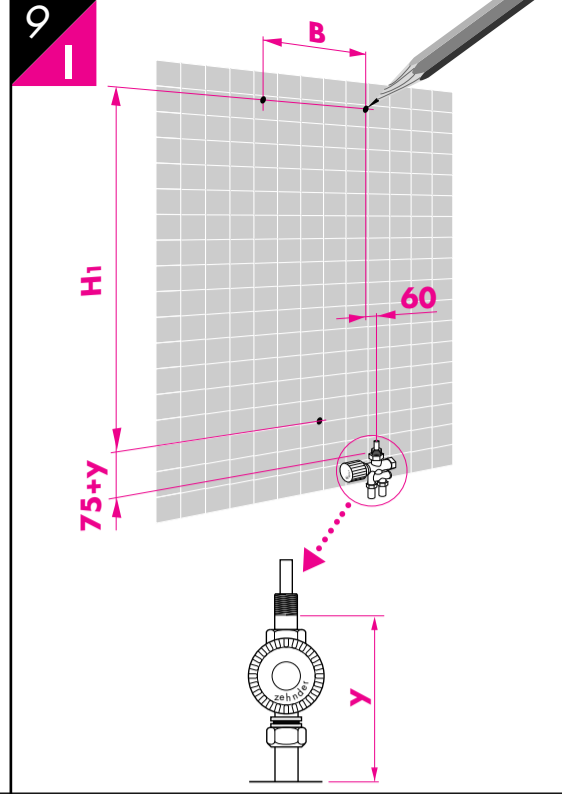
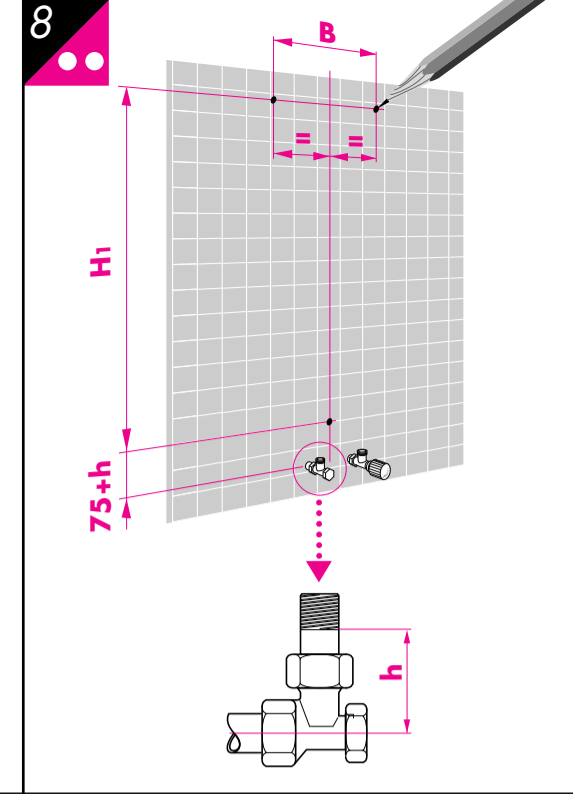
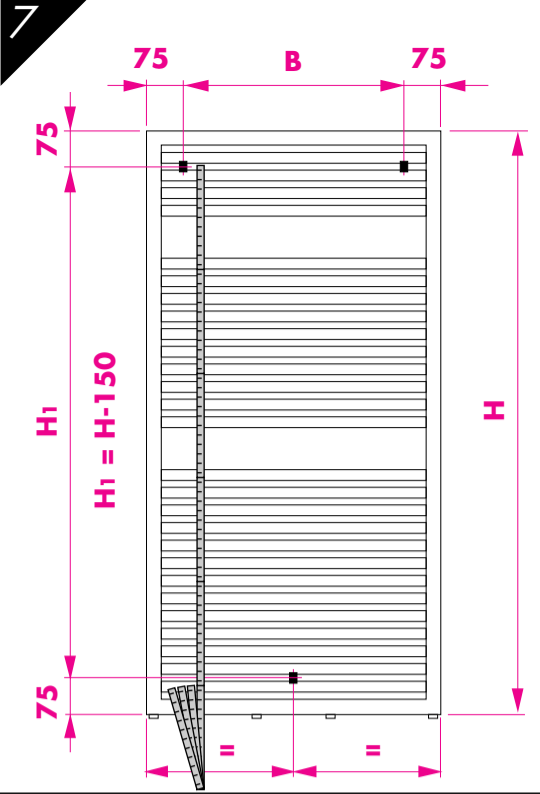
© Copyright by ZR 08/00 852 010

Do it yourself



= mm



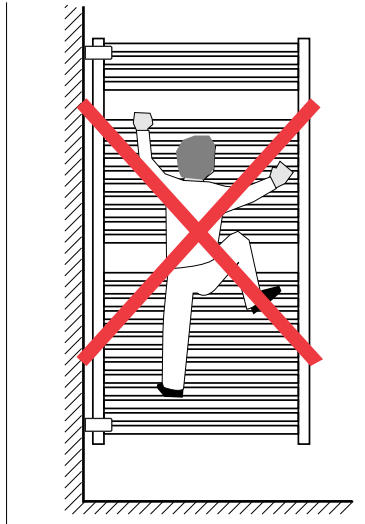
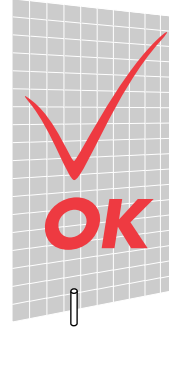
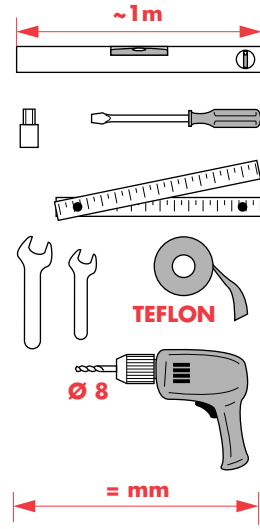


zehnder

TYP RT

- D** Montageanleitung
- GB** Assembly Instructions
- F** Instructions de montage
- I** Istruzione di montaggio
- E** Instrucciones de montaje
- H** Szerelési utasítás
- NL** Montageaanwijzing

852 030 © Copyright by ZR 05/99



x1 (Radiator), **x2** (Screws), **x2** (Nuts), **x2** (Washers), **x1** (Bracket), **x1** (Bracket), **x1** (Bracket), **x1** (Bracket), **x1** (Bracket), **x1** (Bracket)

Option

x2

H	H1
701/ 721	540
1133/ 972	972
1421/1441	1260
1745/1765	1584

Option

x2

W = 75±5

L	L2	~L3	N
450	210	135	420
500	235	160	470
600	285	210	570
750	360	285	720
1000	485	410	970

Option

x2

x1 (Radiator), **x2** (Screws), **x2** (Nuts), **x2** (Washers), **x1** (Bracket), **x1** (Bracket), **x1** (Bracket), **x1** (Bracket), **x1** (Bracket), **x1** (Bracket)

Option

x2

H	H1
763	613
1195	1045
1483	1333
1807	1657

Option

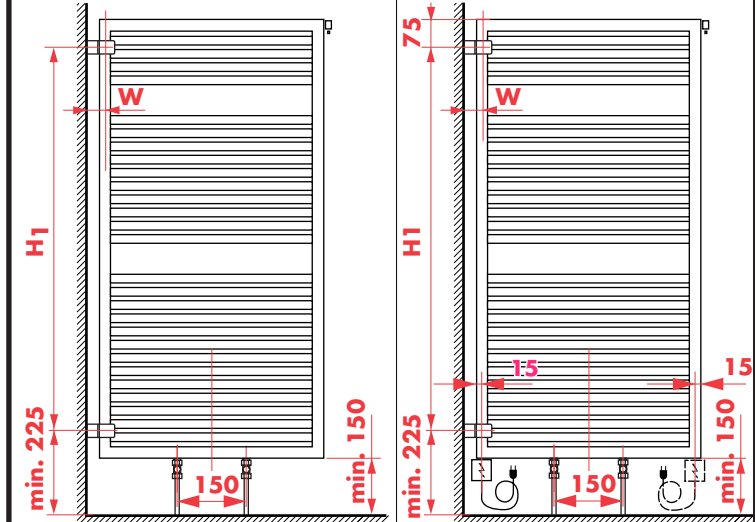
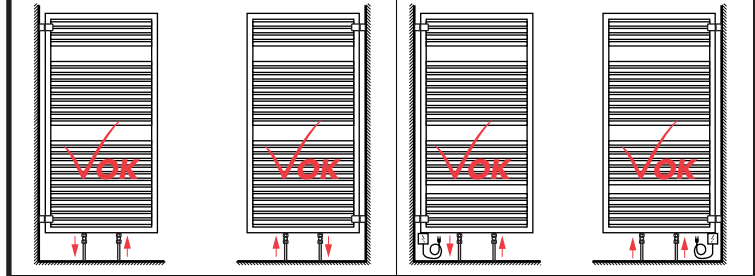
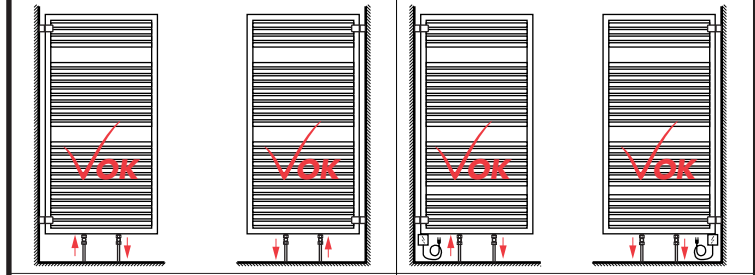
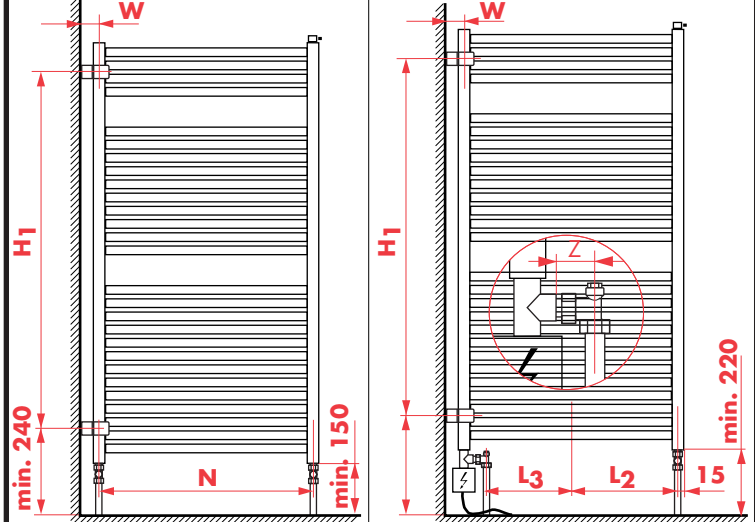
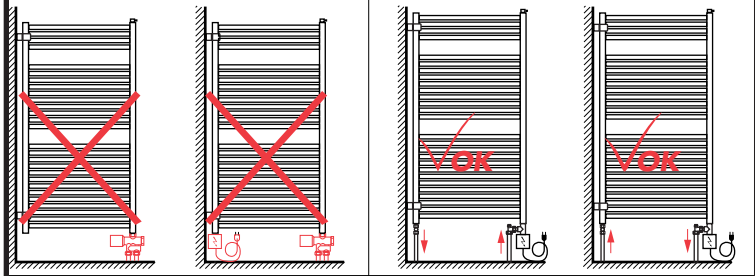
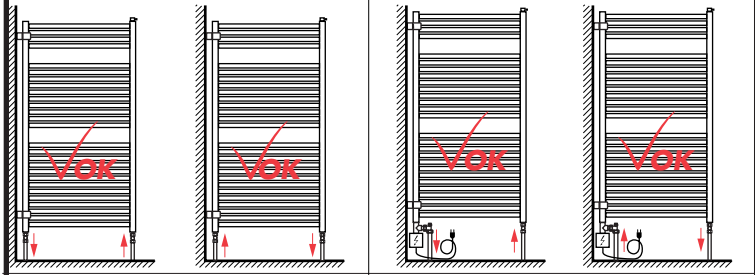
x2

W = 75±5

L	L2	~L3	N
450	210	135	420
500	235	160	470
600	285	210	570
750	360	285	720
1000	485	410	970

Option

x2



Option

H	H ₁
701/ 721	540
1133/ 972	972
1421/1441	1260
1745/1765	1548

Option

H	H ₁
763	613
1195	1045
1483	1333
1807	1657

